

# NETVIO

SIMPLIFYING COMPLEXITY

## MX-H2-0404-10 4x4 Compact HDMI Matrix



**SafeGuard**  
5% 5-Yrs | 10% 10-Yrs



### 4K HDR

#### LATEST 4K MEDIA

4K/60 HDR using Cat5e/6 with 40m & 70m output support.

If bandwidth exceeds HDBaseT 10.2Gbps limits, then seamless light compression is added.

### SCALING

#### AUTO 4K/1080P

Onboard scaling solves a re-occurring problem on how to seamlessly integrate the latest 4K/60 HDR displays with older legacy 1080p equipment.

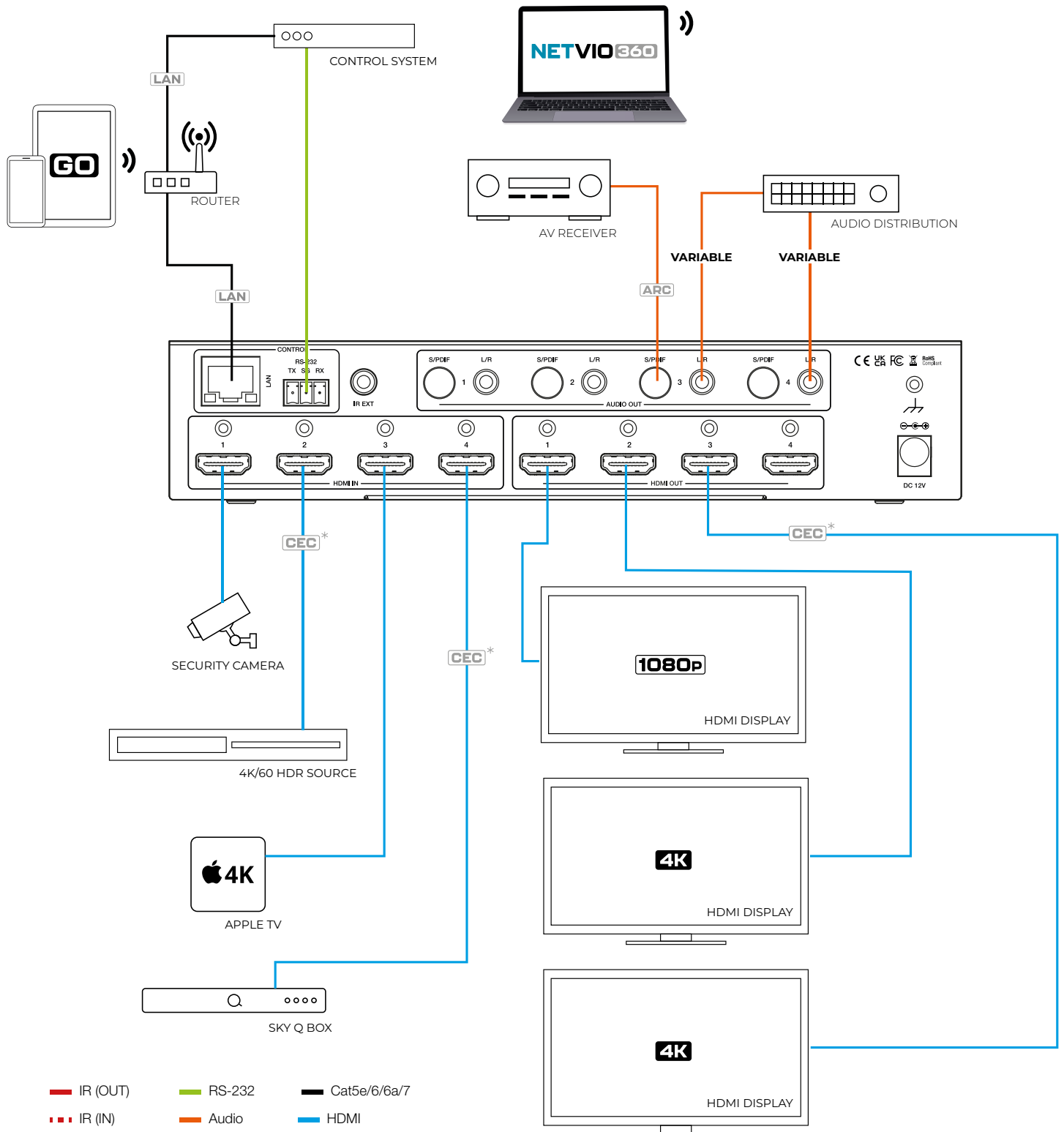
### ARC

#### CAPTURE & ROUTING

Audio return provides the best possible digital audio experience from popular embedded display applications.

Capture, route & connect to audio systems using analogue and digital outputs.

## Basic Wiring Diagram



**VIDEO****Encoding Data Rate**

HDMI: Max 17.82Gbs

**Max Video Transmission**

3840x2160 60fps 4:4:4 8b

**HDMI (Inputs/Outputs)**

Supporting HDMI 2.0b resolutions including 3840x2160 60fps HDR.

**Max Pixel Clock**

600MHz / 600Mcsc

**HDR Compatibility**

HDR10, HDR10+, Hybrid Log-Gamma, Dolby Vision

**Scaler Function**

4K to 1920x1080 progressive

Modes include, pass-through (no scaling), Fixed 4K → 2K, Automatic

**HDCP**

Inclusive up to 2.2

**AUDIO****Audio Formats:**

LPCM 2ch, LPCM 5.1, LPCM 7.1, Dolby Digital, Dolby Digital Plus, Dolby TrueHD, DTS, DTS Master

**Audio Outputs:**

4no. 2ch variable line level stereo analog audio jack sockets.

4no. S/PDIF audio via female RCA socket, S/PDIF digital audio supporting uncompressed PCM and non-linear PCM-encoded bitstreams.

**Audio Return Channel:**

ARC capture from compatible display. Output through described audio outputs.

**COMMUNICATION & CONTROL****HDMI:**

CEC, DDC

**RS-232:**

Supports directvia a DB9 socket on the rear panel.

**LAN:**

Local discovery and API console via Netvio 360 & Netvio Go APP,

3rd-party integration via public API

**Drivers & Control**

Drivers available for control systems including C4, Crestron, RTi & Elan.

Discovery, configure, optimise, design via Netvio 360 utility.

Full spectrum AV control via FREE Netvio application for Apple & Android devices.

**EDID**

Automatic, Onboard pre-sets, Copy sync (RX)

**ENVIRONMENTAL****Storage**

20°C / +60°C | 20% - 90% RH

**Operating**

0°C / +40°C | 20% - 90% RH

**OTHER INFORMATION****Power Supply:**

External 12v PSU. supporting worldwide AC voltages (e.g. 120V/60 USA, 230V/50 UK)

**FREE Software & Control**

Netvio 360 utility - discovery, configure, optimise, design, control

Netvio GO - Full spectrum AV control

**Weights & Dimensions:**

**Rack Units:** Compact 1U

**Height:** 44mm

**Width:** 220mm

**Depth:** 105mm

**Weight:** 0.8kg

**In the Box:**

Phoenix Connectors

Remote Control

Regionalised Power Lead

**Regulations**

Safety Approvals: CE, UKCA, FCC, RoSH

**Warranty**

2-Year standard warranty

3-Year standard warranty (*subject to online registration*)

5-Year SafeGuard | 5% product value

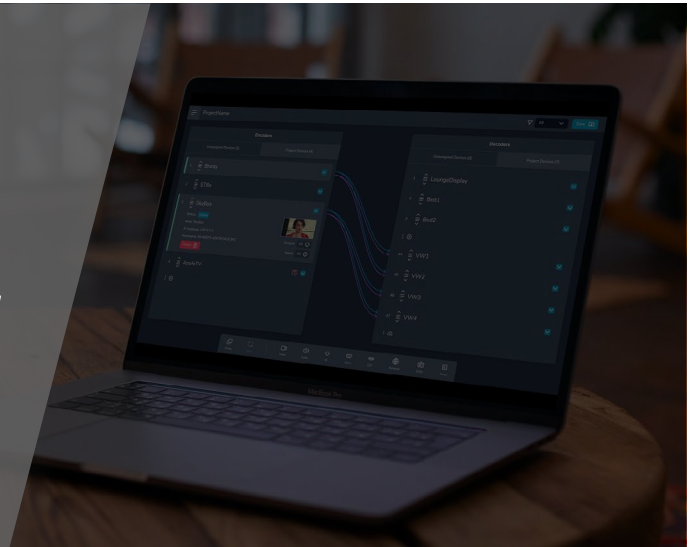
10-Year SafeGuard | 10% product value

## NETVIO 360

### DISCOVER, CONFIGURE, OPTIMISE, DESIGN & CONTROL

Netvio 360, a free utility for PC and Mac provides a unified and guided workflow approach to discover, configure, optimise, design and control HDBaseT, 1Gb and 10Gb AVoIP solutions.

Use the design canvas tool to drag 'n' drop system components, draw control paths before launching Netvio GO! with a QR code.



## NETVIO GO

### GET, SET, GO!

Free-on-board! Netvio GO provides a high-quality end-user control experience for HDBaseT, 1Gb & 10Gb AVoIP solutions.

A full spectrum AV control platform using Apple & Android devices, Netvio GO seamlessly manages signal distribution, media sources, displays & audio devices via IR, RS-232, CEC & IP without dedicated control hardware.

Set-up & control established takes minutes using Netvio 360.

